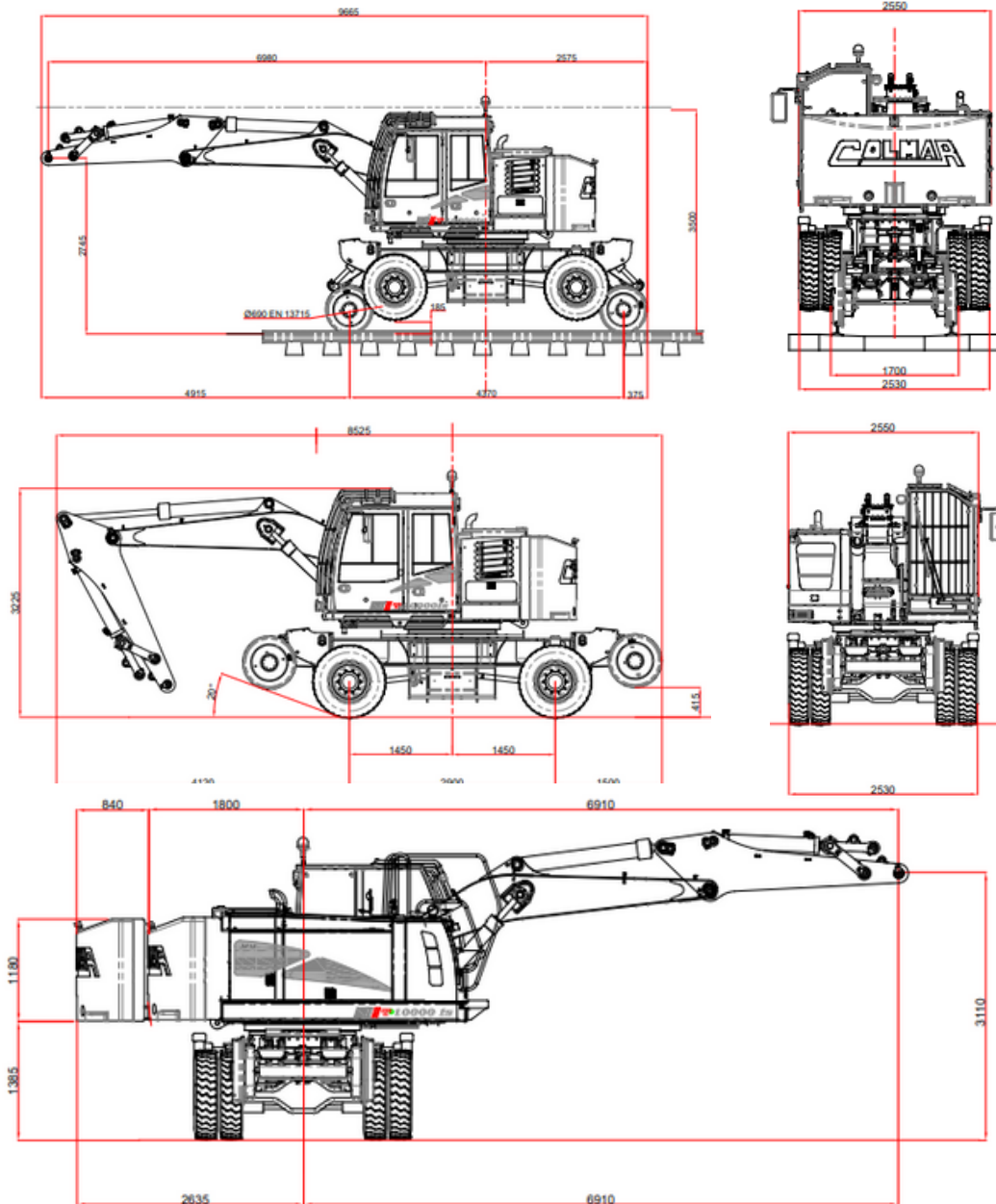


# T10000FS Wheeled RRV



## Specifications

### T10000FS

Weight	t	31.50
Max reach	m	7.90
Max lifting capacity	t*	11.30
Lifting capacity on rail at Max reach on 360°	t*	2.65
Extendable counterweight		Yes
Diesel Engine **	KW	115 (Deutz)
Displacement **	l	4.8
Cooling System **		Water
Max Working Pressure	bar	350
Max flow of the pumps	l/min	175 + 175
Speed on rail	Km/h	19
Speed on road	Km/h	19
Diesel tank capacity	l	210
Hydraulic oil tank capacity	l	210